

AXS KEYPAD

STORM AXS KEYPADS PROVIDE RAPID AND RELIABLE ACCESS CONTROL IN PROFESSIONAL 'HIGH-TRAFFIC' APPLICATIONS. UTILISING THE LATEST IN MICROPROCESSOR TECHNOLOGY, THESE KEYPADS ARE SECURELY HOUSED WITH HIGH LEVEL PROTECTION AGAINST STATIC DISCHARGE DAMAGE, VANDALISM AND EXTREME WEATHER CONDITIONS. THIS STANDALONE SYSTEM IS IDEAL FOR BOTH INDOOR AND OUTDOOR USE. THE RANGE INCLUDES STANDALONE UNITS PLUS KEYPADS WITH WEIGAND DATA OUTPUT



AXS KEYPADS

THE SECURE ALTERNATIVE



AX20



AX10-P

Features

AX-10 - Strike Master

- Standalone access control
- Up to 50 user programmable PIN codes
- 4, 5 or 6 digit PIN codes
- Indexing for secure allocation of PIN codes
- Quick and easy to install
- 1 or 2 door control
- PIN code entered under duress alarm
- Anti-tamper alarm
- Forced door alarm
- Timed release / latched door for each PIN
- Fail open or Fail closed option
- Timed lock out for repeated invalid code
- All weather resistant
- LED and audible tone status
- Hidden PIN code feature
- 11 to 28V DC or 9 to 20V AC

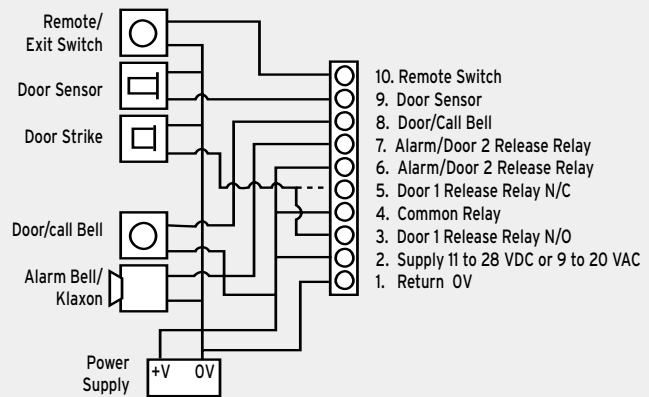
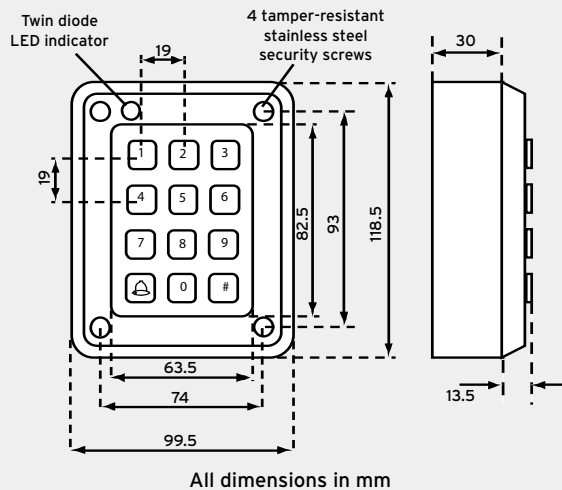
- Remote exit switch facility

AX-20 - Code Master

- Integrates with access control panels
- 26 or 32 bit (Weigand) data output
- Quick and easy to install
- Suitable replacement for standard card readers
- Selectable 'keypress' audible tone.
- Selectable 'code accepted' audible tone
- All weather resistant
- LED status indication
- 5V - 12V DC

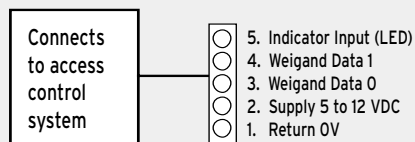
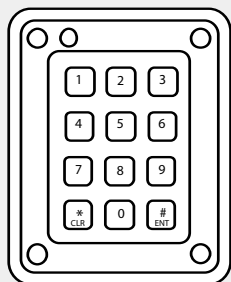
TECHNICAL SPECIFICATIONS

AX-10 Strike Master - operates door release or parking barrier



AX-20 Code Master - connects to an access control panel

Dimensions as AX10 Strike Master



Technical Specifications

Operating temperature	-20°C to +70°C
Material	Chromed Zinc
Colour	Silver or Black
Keypad legends	Engraved
Legend colour	Black or White
Resistance to static Discharge	> 12.5 KV

Order Information

AX-10	Strike Master Keypad
AX-20	Code Master Keypad
AX10-P	Strike Master Keypad (plastic housing)
AX-20-P	Code Master Keypad (plastic housing)

Supplied By:

Nortech Control Systems Ltd
 42 Llantarnam Business Park
 Cwmbran, South Wales, UK, NP44 3AW
 Phone: +44 (0) 1633 485533
 Fax: +44 (0) 1633 485666
 email: info@nortechcontrol.com
 web: www.nortechcontrol.com

