

CRC400

THE UNIVERSAL CARD READER INTERFACE (URI) SYSTEM IS A METHOD OF SENDING CARD DATA FROM MULTIPLE CARD READERS DIRECTLY TO CONTROLLING SOFTWARE VIA A SINGLE SERIAL PORT IN A PC.

THE URI SYSTEM CONSISTS OF ONE MASTER INTERFACE MODULE AND UP TO 14 SLAVE INTERFACE MODULES, EACH CAPABLE OF SUPPORTING A SINGLE CARD READER.

THE SOFTWARE THEN PROCESSES THE CARD DATA AND SENDS A RELEVANT CONTROL SIGNAL BACK TO THE URI SYSTEM, WHICH HAS THE ABILITY TO GIVE A RELAY OUTPUT IF NECESSARY..



CRC400 SERIES

UNIVERSAL READER INTERFACE SYSTEM

Features

The CRC400 system supports many reader technologies, formats and outputs.

Data communication is made easy using RS232 and RS485 protocols.

Designed to interface with third party Database Management Systems.

Reader Protocols

The system supports a full range of card protocols including:

- Track 1 and 2 magnetic stripe
- Indala proximity
- HID proximity
- Mifare smart
- Legic smart
- Hitag proximity
- EM proximity
- Bar-code
- Biometric

Reader Formats

The system supports readers with the following output formats;

- Clock & Data
- RS232 serial
- Wiegand

Reader Technologies

The system supports full range of reader technologies including:

- Contactless smart
- Standard proximity
- Motorised magnetic stripe with card capture
- Standard magnetic stripe
- Bar code
- Hyper X
- Contact smart (chip)
- Mag or prox with PIN pad
- PIN pad only
- Biometric readers

Applications

- Membership Access Control
- Leisure Centres
- Fitness Clubs
- Golf Clubs
- Social Clubs
- Process Control



Access 7c Smart Card Reader



RH306C Magnetic Stripe & Barcode Reader

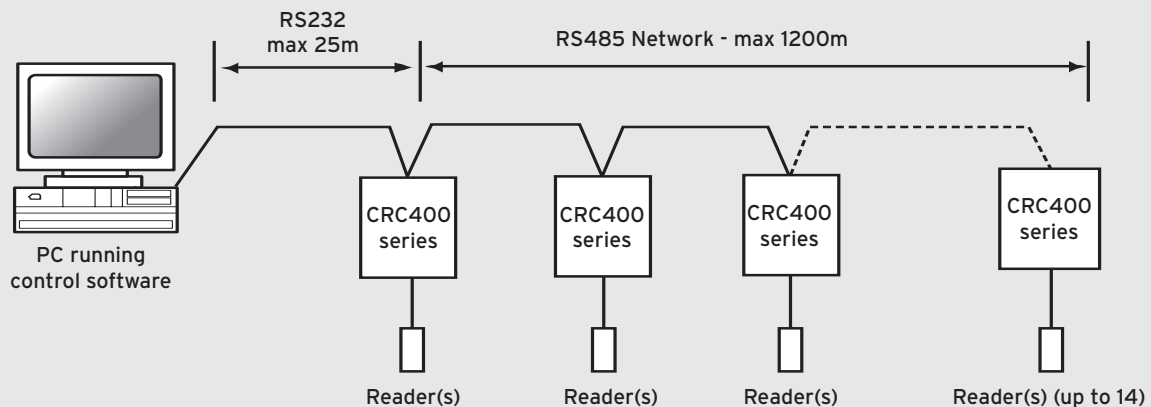


ASR603 Proximity Reader

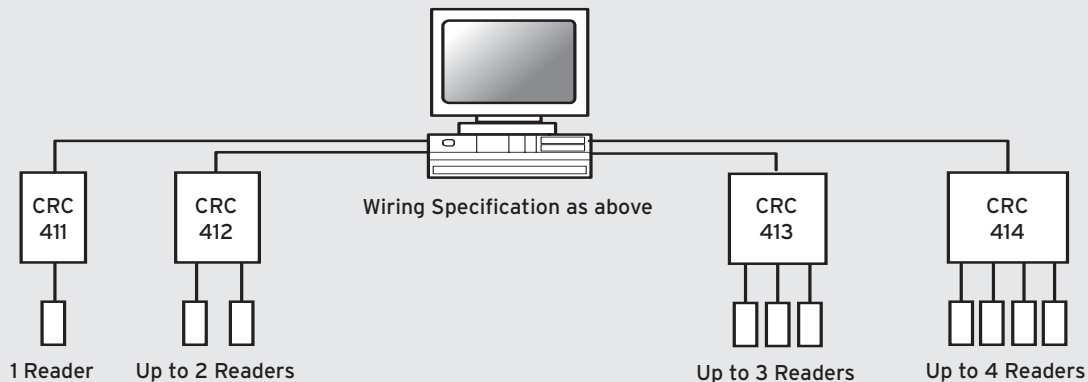


TECHNICAL SPECIFICATIONS

Universal Reader Interface (URI) Network Schematic



Options



Technical Specifications

Power requirements:	230V AC
Output relays:	Voltage free change over relay rated at 2A @ 30V DC Variable output time driven by Software
Dimensions (mm):	300 x 300 x 130 (L x W x D)
Weight:	5 kgs nominal
Number of readers:	31
Request to exit:	0.5 or 5 second duration
Data transmission:	38400 baud (9600 option)

System Cabling

CRC400 to PC:	RS232 Serial Cable
CRC400 to Card Reader:	Belden 9536 or equivalent

Reader Cabling Distances

CRC400 to Standard Card Reader:	100m nominal
CRC400 to RS232 Format Reader:	25m nominal

Order Information - CRC400 Series

CRC411:	1 Reader Interface System
CRC412:	2 Reader Interface System
CRC413:	3 Reader Interface System
CRC414:	4 Reader Interface System

Order Information - Card Reader Options

Bar Code Technology	
RH307C	Barcode Swipe Reader
Magnetic Card Technology	
RH301	Magnetic Stripe Card Reader
RH306C	Magnetic Stripe & Barcode Reader
Proximity Card Technology	
ASR603	Slimline Proximity Card Reader, 120mm range
PICO-Prox	Compact Proximity Reader
Smart Card Technology	
Access 7c	Multi-technology Reader

Supplied By:

Manufactured By:
 Nortech Control Systems Ltd
 42 Llantarnam Business Park
 Cwmbran, South Wales, UK, NP44 3AW
 Phone: +44 (0) 1633 485533
 Fax: +44 (0) 1633 485666
 email: info@nortechcontrol.com
 web: www.nortechcontrol.com

