

CRC200 Card Reader Controller

PRODUCT DESCRIPTION

The CRC200 is a standalone 2-reader controller suitable for controlling doors, barriers, rising bollards, turnstiles, etc., by validating cards, key fobs, vehicle tags, PINs, etc. presented via 1 or 2 reader interfaces. The CRC200 can also form part of an access management system by linking it to Norpass2 Access Control Management Software together with further reader controllers.

The CRC200 supports both Clock & Data and Wiegand interface formats. It can be used to control access via 2 doors/barriers and provide local anti-passback control. It supports a range of both standalone and managed access control features.

Two versions of CRC200 are available:

The CRC200-S has a large card capacity and is typically used with a site code and sequential card numbers counting from zero or one.

The CRC200-R is designed to work with random card numbers and is therefore suitable for extending or replacing existing controllers



SPECIFICATIONS

Electrical

| | |
|----------------------|---|
| Supply Voltage: | 12 - 24V DC |
| Current Requirement: | 100 mA quiescent, 230 mA while reading (both readers) |
| Reader Supply: | 5V DC (100mA max.) or supply voltage |

Physical

| | |
|--------------------|--|
| Display: | 2 lines x 16 character LCD |
| Keypad: | 12 button membrane. Keys 0 to 9 plus 'Program' and 'Enter' |
| Dimensions (mm): | 190 x 130 x 43 (H x W x D) |
| Cable Termination: | Pluggable Screw terminal blocks |

Environmental

| | |
|------------------------|--------------------|
| Operating Temperature: | 0°C to 40°C |
| Storage Temperature: | -20°C to 70°C |
| Relative Humidity: | 95% non-condensing |

Capacity

| | |
|-----------|---|
| CRC200-S: | 20,000 sequential card numbers (0 - 19,999), 1,700 events |
| CRC200-R: | 6,550 random card numbers, 1,300 events |

Inputs

| | |
|--------------------|---|
| Readers: | 2 x 5-wire reader interfaces for Clock & Data (ABA Track 2) & Wiegand formats |
| Arming: | 2 independent, ground activated inputs (shared with 'Door open' monitor). Open-circuit arming. |
| Door Open Monitor: | 2 independent, ground activated inputs (shared with 'Arming'). Monitor door open status for system alarm reporting. |
| Request to Exit: | 2 independent, ground activated inputs, each operating the associated latch relay. |

Outputs

| | |
|-------------------|--|
| Latch Relays: | 2 independent latch relays with change-over contacts rated at 2A at 30V DC. |
| Auxiliary Output: | 2 independent open-collector outputs for auxiliary control such as card capture. |

Data Communication

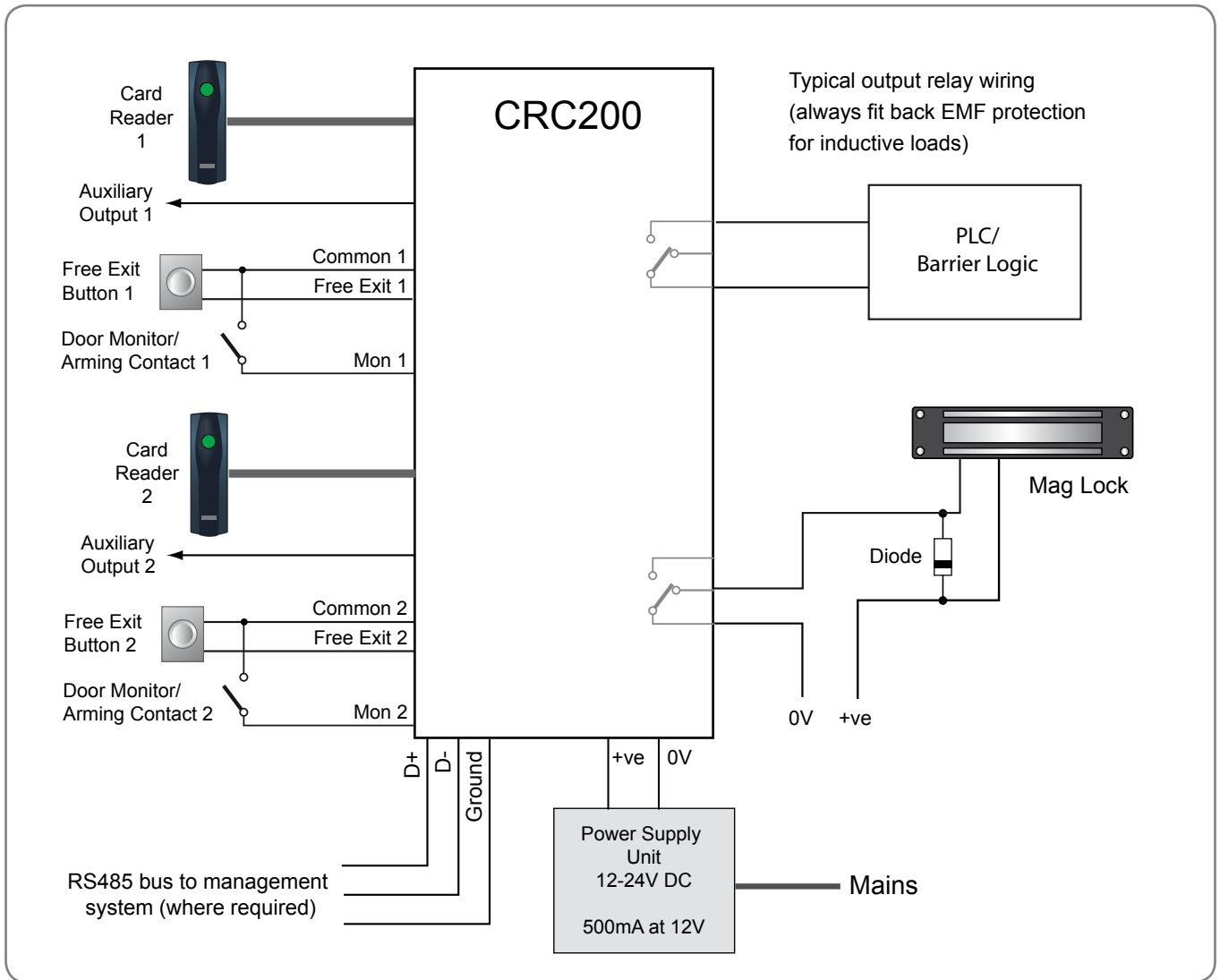
| | |
|-----------------------|---|
| Management Interface: | RS485 (up to 32 controllers per control port) |
| Memory Module: | RS232 (CRC200S only) |

Cabling

| | |
|-------------------|---|
| CRC200 to reader: | Belden 9536 or equivalent (6-core, 24 AWG stranded, overall foil shield) - 100m maximum length |
| RS485 comm's: | Belden 9729 or equivalent (2-pair, 24 AWG stranded, twisted Pairs, individually foil shielded) - 1,200m maximum overall length |

CRC200 Card Reader Controller

Connection Details



Supported Readers/Input Devices

DP2200 Dual/PROX® proximity reader range
EM2100 125kHz proximity card reader range
RH301 Magnetic stripe card reader
MRC310 Card capture reader
ASR6xx HID Indala proximity card reader

600X HID Proxpoint® plus proximity reader range
RH305 Barcode reader
LMB60XX Hyper X RFID reader range
RC-W RF RF remote control receiver
T2000RX Multi-code Track AVI receiver

Alternative Products

CRC100 Standalone single reader controller
CRC220 Cost effective 2-reader controller for use in a Nor-pass2 managed network

NanoQuest Standalone proximity card reader and controller for up to 600 ISO1443 type cards.

Ordering Information

CRC200-S-48 2-door card reader controller with capacity for 20,000 sequentially encoded cards. RS485 connectivity.

CRC200-R-48 2-door card reader controller with capacity for 6,550 randomly encoded cards RS485 connectivity.